

Instruction Sheet

Kit Number: 79260500

36-INCH MULCHING KITS

WARNING: FAILURE TO FOLLOW INSTRUCTIONS could result in personal injury and/or damage to unit.

Read, understand, and follow all safety practices in Owner/Operator Manual before beginning.

ACCIDENTAL ENGINE START UP can cause death or serious injury. ALWAYS stop engine, remove key, wait for moving parts to stop, and remove wire from spark plug before adjusting or servicing.

SHARP EDGES CAN CUT BODY PARTS. ALWAYS wrap blades, wear protective gloves, and use extreme caution when handling blades.

Package Contents

Check the contents of your kit for the parts listed below (figure 1):

Item	Description	Qty	Part Number
1	36" Mulch Kit Baffle	1	03397651
2	3/8-16 x 1.00 Hex Bolt Grade 5	3	00960046
3	5/16 Reg Flat Washer	3	00960701
4	3/8-16 x 1.00 Carriage Bolt, Grade 5	1	00963020
5	3/8-16 Nyloc Locknut	3	00968087

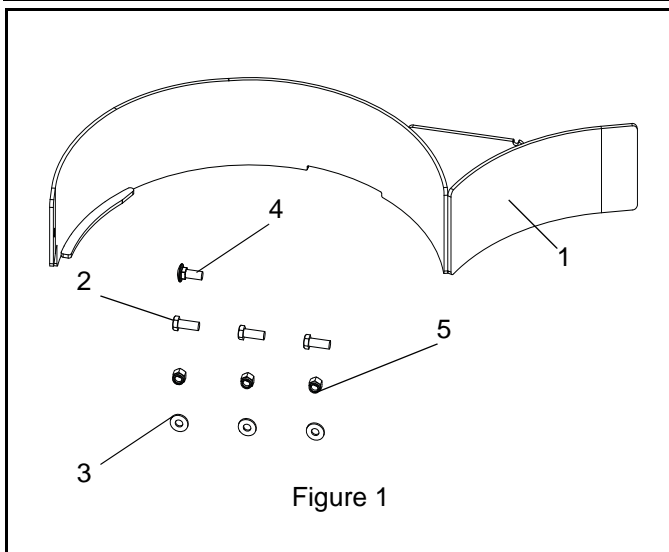


Figure 1

INSTALLATION

WARNING: ALWAYS block wheels and know all jack stands are strong and secure and will hold weight of unit during maintenance.

CAUTION: On multiblade mowers, rotation of one mower blade will cause all mower blades to rotate.

For Deck Without Pre-Drilled Holes:

1. Remove belt shield.
2. Remove deck belt from machine.
3. Remove deck assembly from machine and support the frame.
4. Turn deck upside down and remove blades from deck.

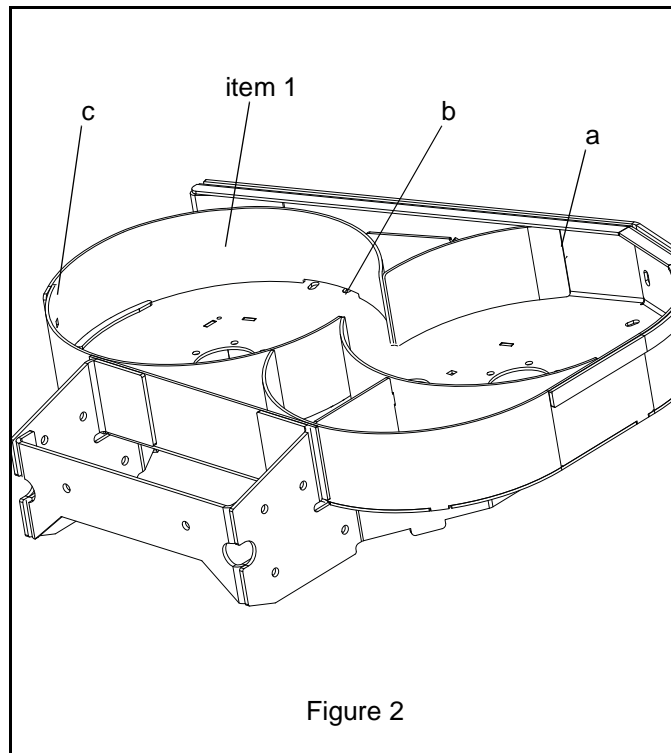
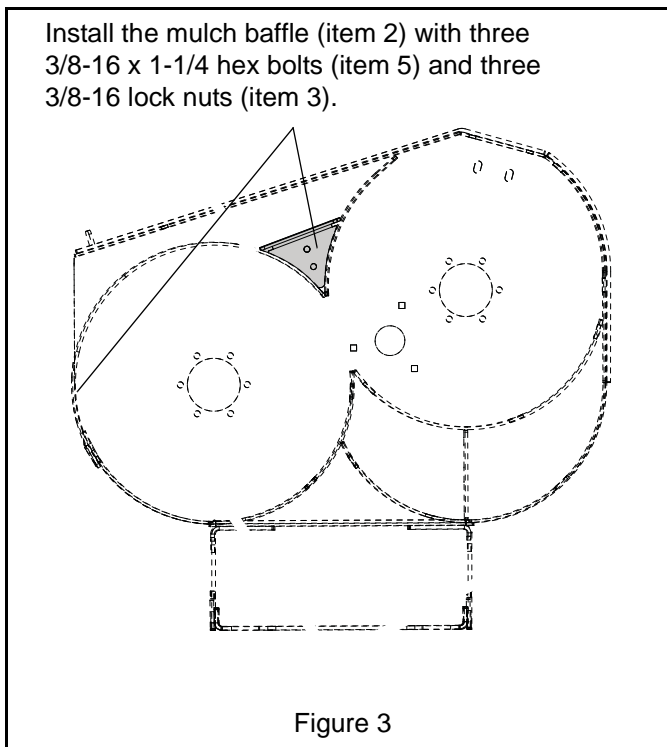


Figure 2

5. Position the mulch baffle (item 1) as shown in Figure 2 by making sure:
 - a. Closed deck-side baffle bolts against the front wall.
 - b. The chute deck-side baffle's notch clears over the top of the carriage bolts to the front wheels.
 - c. The chute deck-side baffles mate against the exterior side of the left-hand rear deck wall.
6. Mark the locations for all three holes after aligning the mulch baffle from step 5.
7. Install the blades and make sure there is 3/8" clearance between the blades and the mulch plate.
8. Remove the mulch baffle (item 2) and blades and drill three 3/8" holes in the deck.
9. Install the mulch baffle (item 2) in place with three 3/8-16 x 1-1/4 hex bolts (item 5) and three 3/8-16 lock nuts (item 3). See Figure 3.



10. Reinstall the blades and torque the blade bolts to 120 lbf-ft (163 N•m).
11. Install the deck on the machine, install the deck belt and replace the belt shield.

For Deck with Pre-Drilled Holes:

NOTE: For this procedure, the machine should be in the same position as for blade maintenance.

1. Locate the mulch baffle (item 1) as shown in Figure 2 by lining up the following three holes:
 - a. The two holes in the center of the deck plate align with the two holes in the center of the mulch baffle. The flat face of the center support of the mulch baffle mates to the bottom side of the deck plate.
 - b. The hole in the chute-side baffle of the mulch baffle aligns with the carriage bolt hole in the chute-side baffle of the deck.
2. Install the mulch baffle in place with two 3/8-16" x 1.00 hex bolts, one 3/8-16" x 1.00 carriage bolt and three 3/8-16" lock nuts.

NOTE: This procedure can be done without removing the blades. However, if the blades were removed during the procedure:

3. Reinstall the blades by tightening blade bolts to 120 lbf-ft (163 N•m).

NOTE: After installing the mulch baffle, rotate the blades by hand to check for any interference between the blade and baffle. If the blade contacts the baffle, reinstall the mulch baffle, checking its position. If the issue persists, contact the selling dealer.

FOR BEST PERFORMANCE

Cut grass when it is dry.

Keep mower blades sharp.

Keep mower deck properly leveled.

Adjust anti-scalp rollers to prevent scalping.

Do not set height of cut too low. For very tall grass, mow twice.

Do not travel too fast.

Mow with the engine set at full throttle.

When mulching, only remove 1/3 of grass length per cutting.

Vary cutting pattern with each mowing.

Do not allow grass or debris to collect inside of mower deck. Clean after each use.